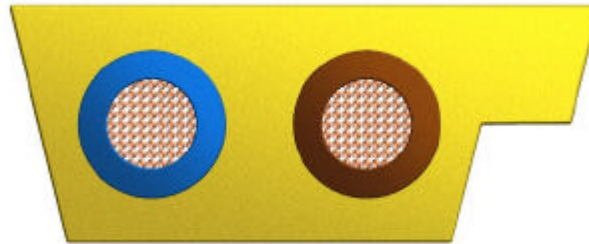


AS-Interface



Design

Wire LI9Y 1X1.5/2.5

Stranded wire highly flexible to DIN VDE 0295, class 6

Insulation of thermoplastic polypropylene copolymer (FRNC)

Wall thickness

∅ 1.5 mm
 ∅ 2.5 mm
 0.5 mm

Jacket:

Polyurethane (PUR) YE

Wall thickness 0.6 mm

The brown wire should lay on the broadside of the profil

Outer dimensions

Thickness	4.0 ± 0.2 mm
Thickness of leading edge	2.0 ± 0.1 mm
Width 1	6.5 ± 0.2 mm
Width 2	10.0 ± 0.2 mm
Grid dimension conductor/conductor	3.6 ± 0.2 mm

Printing: "ASI-LOGO" LEONI L VDE-REG.-NR.9971 FLI-9Y11Y 2X1.5 VZN FRNC OIL RESISTANT
 + marking every meter

Electrical and mechanical characteristics

Acc. to specification AS-I KO1-E, version 12.09.96 / speci_4E

Use: Acc. to guide to use AS-I AR 01-E
 version 12.09.96, anwen_4e

VDE-Reg.-Nr. 9971

LEONI Special Cables GmbH

Technisches Datenblatt – Technical Data Sheet – Technisches Datenblatt – Technical Data Sheet – Technisches Datenblatt – Technical Data Sheet

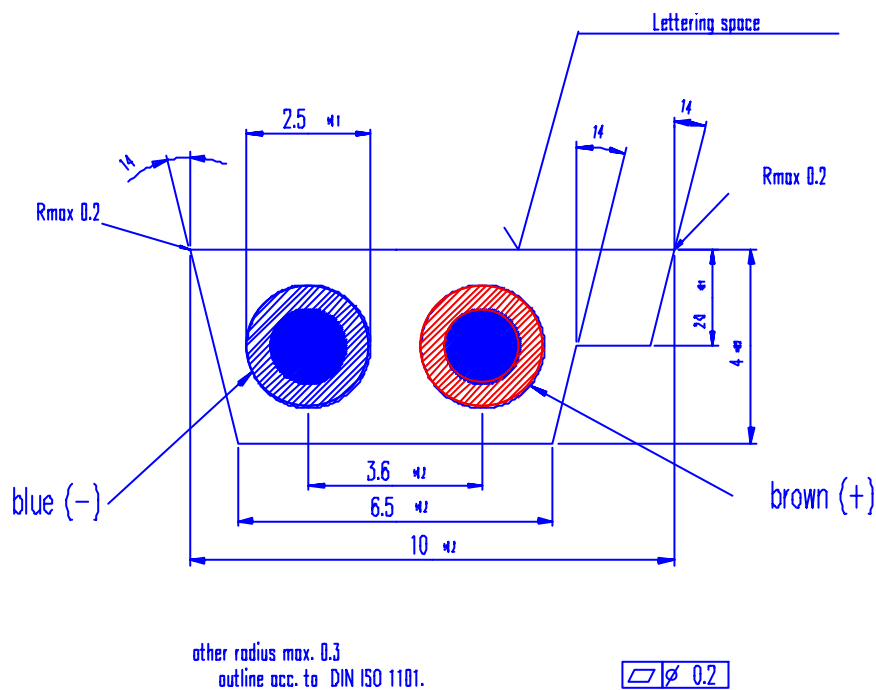
Designation of order:

L45587-M21-B58 1000 m non-returnable reel

L45587-M21-B58-F2 100 m on ring

FLI-9Y11Y 2X1X1.5 VZN FRNC YE

Weight about : 67 Kg/km



Weitergabe an Dritte nur mit Genehmigung der Fa. LEONI Kabel GmbH & Co. KG - Alle Rechte vorbehalten -
 Transfer to third party only by authority of LEONI Kabel GmbH & Co. KG
 Formular: W1-WWW-PT-TDBL2-A-20 © DV-Work1 2000

FRNC *) = Flame retardant non corrosive

LEONI Special Cables GmbH Phone: +49-04491-292-292 Fax: +49-04491-292-169 Internet: www.leoni-special-cables.com

Date of issue : 09.11.2001

Technical modification reserved

Creator : LSC E/NORDING

Number : L45587-M21-B58-EN

Up-dating : 19.11.2003 Name: Langemeyer
 Supersedes : 14.01.2002 which is to be intended with drawn